



# StoneWall™

## High Performance and Non-Sag Mortar

### For Interior or Exterior Installations

### Commercial and Residential Installations

### Excellent for Large Bodied Tile and Stone in Vertical Applications

### Exceeds All Requirements of ANSI A118.1, A118.4 and A118.11

### Excellent for Use on All Approved Floors and Walls

### Description

StoneWall™ is for interior or exterior, commercial or residential installations to set all types of porcelain, Saltillo, ceramic, granite, slate, marble, limestone, and dimension stone tiles. StoneWall is formulated to prevent large bodied ceramic, porcelain and stone tiles from slipping in vertical applications. StoneWall is also suitable for installing floor tiles.

Use over properly prepared concrete; structurally sound, exterior grade plywood (interior/dry use only); cementitious backer board; Bostik Ultra-Set® Advanced; Bostik BlackTop; Bostik GoldPlus; existing, well-bonded vinyl/VCT or ceramic tile; and cutback adhesive residue (dry only).

### Directions for Use

Read and understand data sheet completely before beginning installation. Follow applicable ANSI installation standards.

### Surface Preparation

All surfaces must be clean, dry and smooth; free of voids, projections, loose materials, oil, grease, sealers, curing compounds, waxes and all other surface contaminants that may inhibit proper bond.

### Mixing

Using a slow speed mixer (<150 rpm), mix 6 quarts of clean, potable water to 50 lbs. StoneWall Mortar. Mix to a creamy consistency. Allow the mixture to stand 15 minutes, and re-mix prior to application. Note: For installation of large bodied wall tiles the product should be mixed to a stiff but creamy consistency. Excess water or a "loose" mix may cause tiles to slip. Do not re-temper by adding more water. Mix with water only.

### Application

Apply a thin coat of StoneWall with flat edge

of trowel to achieve a good mechanical bond to substrate. Comb additional mortar with the appropriate size notched trowel. If any evidence of skinning or setting occurs, re-comb the mortar with the notched trowel. Apply mortar to an area no greater than can be tiled in 20 to 30 minutes. Apply tile using a twisting motion into a fresh bed of mortar to ensure maximum contact and bond. Periodically check the back of the tile to ensure proper transfer (interior applications — min. 80% coverage; exterior, wet, or plywood applications — min. 95% coverage). A finished mortar bed thickness of 3/32" to 1/8" is required.

**Application Over Plywood:** Maximum joist spacing shall be 16" on center. Plywood shall be Underlayment Exterior Grade or C-C Plugged Exterior Grade plywood (or better). If the existing floor is less than 1" thick, glue and nail 15/32" or 1/2" APA Underlayment Exterior Grade or C-C Plugged Exterior Grade plywood to the floor. Glue and nail using 5D or 6D (1-1/2" or 2") cement coated screw shank nails 6"



**BLOCKADE®**  
Antimicrobial  
Protection

**Bostik**  
Green Products  
Initiative

on center along the panel edges and a maximum of 8" on center each way throughout the panel. Allow 1/8" gap between underlayment sheet edges and all areas that abut walls, drains, posts, etc., these areas shall be filled with mortar when tiles are installed. Clean and rough sand the plywood. Due to the limitations of plywood as a substrate, StoneWall is not intended for use on plywood in exterior, wet interior, or applications subject to heavy/commercial traffic.

**Application over Existing Vinyl/VCT Flooring & Cutback:** Vinyl must be clean and well bonded to substrate. Do not install over cushion-backed or perimeter bonded sheet vinyl. Remove any loose pieces of vinyl, VCT flooring, or cutback adhesive residue (dry only). Ensure the exposed substrate is suitable for application.

Typical Physical Properties	
Open Time at 70°F	>70 minutes
Adjustment Time	40 minutes
Pot Life at 70°F	4 hours
Initial Set at 70°F	8-10 hours
Final Set at 70°F	10-15 hours
Exceeds ANSI A118.4 and A118.11 requirements	
24 Hour Compressive	380 psi
28 Day Compressive Strength	3403 psi
28 Day Flexural	1100 psi
Open Time 30 Minutes	
Porcelain Tile	575 psi (ANSI REQ 200)
Quarry to Wood*	300 psi (ANSI REQ 150)
All numbers represent minimum test results. * Wood failure (wood typically fails between 250 to 300 psi).	

## Clean-Up

Clean all tools and equipment with soap and water. Do not allow material to dry on the surface of the tile.

## Curing

Keep all foot traffic off the installation until tile is firmly set (approximately 12 hours). Set times vary based on temperature and humidity.

## Grouting

Depending on ambient, slab, and material temperatures, grouting can generally begin after 12-16 hours with any quality Bostik grouting system. Allow 48 hours before grouting with Bostik EzPox™ or any 100% solids epoxy grout. Allow 24 hours before grouting with Bostik TruColor™ Pre-Mixed Grout or any urethane based grout.

## Limitations

- Do not use for installing moisture sensitive stones (i.e. green marble) or resin-backed stone.
- Do not use in installations where deflection exceeds L/360 (1" in 30 feet).
- Do not apply over oriented strand board, particleboard, Masonite, luaun, or similar unstable substrates.
- Do not use where hydrostatic pressure can occur.
- Natural stone such as marble, limestone & travertine may not tolerate deflection in excess of L/720. Refer to the Marble Institute of America Design Manual for details on specific types of stone.
- Application over cutback adhesive residue is limited to well bonded, dry areas only.
- Due to the limitations of plywood as a substrate, StoneWall is not intended for use on plywood in exterior, wet interior, or applications subject to heavy/commercial traffic.

## Storage and Self Life

Store in a clean, dry area not affected by freezing or hot temperatures. Shelf life is one year from

date of manufacturing in unopened bags.

## Packaging

50 lb. bags. 40 bags/pallet. White formulation only.

**WARNING:** This product contains a chemical(s) known to the State of California to cause cancer.

**DANGER:** Corrosive when wet. Eye, skin and respiratory tract irritant. Suspect cancer hazard - contains material which may cause cancer. Risk of cancer depends on duration and level of exposure.

**PRECAUTIONS:** Avoid breathing dust. Avoid contact with eyes and skin. Keep container closed. Use only with adequate ventilation. Wear protective clothing during handling. Wash thoroughly after handling.

**FIRST AID:** If inhaled, remove to fresh air. In case of contact, immediately flush eyes with water for at least 15 minutes and wash skin with soap and water. Call a physician if irritation persists.

SEE MATERIAL SAFETY DATA SHEET.  
KEEP OUT OF THE REACH OF CHILDREN.

## Limited Warranty

The Limited Warranty for this product can be found at [www.Bostik-US.com/resource-center/warranties](http://www.Bostik-US.com/resource-center/warranties) or by calling 1-800-726-7845 (choose option 2, then option 2 again). TO THE MAXIMUM EXTENT ALLOWED BY LAW, BOSTIK DISCLAIMS ALL OTHER EXPRESS OR IMPLIED WARRANTIES, INCLUDING WITHOUT LIMITATION WARRANTIES OF MERCHANTABILITY AND FITNESS FOR A PARTICULAR PURPOSE. UNLESS OTHERWISE STATED IN THE LIMITED WARRANTY, THE SOLE REMEDY FOR BREACH OF WARRANTY IS REPLACEMENT OF THE PRODUCT OR REFUND OF THE BUYER'S PURCHASE PRICE. BOSTIK DISCLAIMS ANY LIABILITY FOR DIRECT, INCIDENTAL, CONSEQUENTIAL, OR SPECIAL DAMAGES TO THE MAXIMUM EXTENT ALLOWED BY LAW. DISCLAIMERS OF IMPLIED WARRANTIES MAY NOT BE APPLICABLE TO CERTAIN CLASSES OF BUYERS AND SOME STATES DO NOT ALLOW THE EXCLUSION OR LIMITATION OF INCIDENTAL OR CONSEQUENTIAL DAMAGES, SO THE ABOVE LIMITATIONS MAY NOT APPLY TO YOU. It is the buyer's obligation to test the suitability of the product for an intended use prior to using it. The Limited Warranty extends only to the original purchaser and is not transferable or assignable. Any claim for a defective product must be filed within 30 days of discovery of a problem, and must be submitted with written proof of purchase.

### Bostik, Inc.

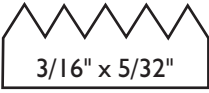
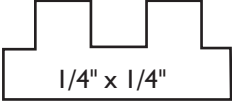
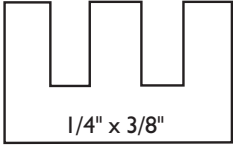
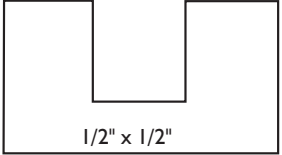
11320 Watertown Plank Road  
Wauwatosa, WI 53226  
1-800-726-7845  
[www.bostik-us.com](http://www.bostik-us.com)



This document supersedes all previously published literature.

T32 07-31-12

## Recommended Trowels For Maximum Performance

Ceramic Mosaics Mounted Ceramics Coverage 85-100 ft <sup>2</sup>	4" x 4" and 4" x 8" Ceramic & Pavers Coverage 70-80 ft <sup>2</sup>	6" x 6" and 8" x 8" Quarry Tile 12" x 12" Ceramic Tile Coverage 50-60 ft <sup>2</sup>	8" x 8" and 12" x 12" Lugged back & Mexican Paver Tile Coverage 35-40 ft <sup>2</sup>
 3/16" x 5/32"	 1/4" x 1/4"	 1/4" x 3/8"	 1/2" x 1/2"

Trowel size is suggested to maximize transfer/coverage of mortar. Periodically check coverage during installation. Uneven substrate may require the use of either a leveling/patching material, or larger notched trowel for proper coverage of mortar.

**Bostik**

Stronger Bonds, Better Life